

The Fifth Generation, Ultra Small Size, Isolated DC-DC Converter

Bellnix® 10Watt BTD Series

BTB series is a thin, high efficiency, low noise isolated DC-DC converter. Contrived to adopt new circuit to achieve miniaturization. Circuit construction is high-efficiency and simple. Adjustable output voltage and remote ON/OFF control has been added as a new function.



<Features>

- Adjustable Output Voltage
- Remote ON/OFF Control
- Dual Power Supply usable as Single Power Supply
- Isolation Voltage AC500V
- Built-in Over-Current Protection Circuit
- Built-in Low Input Voltage Protection Function
- Built-in Over Input Current Protection Element
- No Electrolytic Capacitor, No Tantalum Capacitor
- Metallic Shield Cover
- Halogen-Free PCB Used
- Between Primary and Secondary Combination Capacitance approx. 1,100pF
- Operating Temp. Range -40°C to +85°C (Temp. Derating required)
- RoHS Compliance

<Model, Rating>

Table 1

Model	Input V Vdc	Output V Vdc	Output I mA	Line Reg. mV(max.)	Load Reg. mV(max.)	Noise mVpp(typ.)	Efficiency %(typ.)
BTD05-03S250X	4.5 to 9	3.3	0 to 2500	20	40	40	84
BTD05-05S200X		5	0 to 2000				84
BTD05-12S80X		12(15)	0 to 800 (640)	40	100	30	84
BTD05-12W40X		±12(±15)	0 to 400 (320)	80	600	83	
BTD12-03S250X	9 to 18	3.3	0 to 2500	20	40	40	84
BTD12-05S200X		5	0 to 2000				86
BTD12-12S100X		12(15)	0 to 1000 (800)	40	100	30	88
BTD12-12W45X		±12(±15)	0 to 450 (360)	80	600	86	
BTD24-03S250X	18 to 36	3.3	0 to 2500	20	40	40	84
BTD24-05S200X		5	0 to 2000				86
BTD24-12S100X		12(15)	0 to 1000 (800)	40	100	30	87
BTD24-12W45X		±12(±15)	0 to 450 (360)	80	600	86	
BTD48-03S250X	36 to 76	3.3	0 to 2500	20	40	40	84
BTD48-05S200X		5	0 to 2000				86
BTD48-12S100X		12(15)	0 to 1000 (800)	40	100	30	88
BTD48-12W45X		±12(±15)	0 to 450 (360)	80	600	86	

Note1 : Specify the type in the "X" of the model name. D:DIP type, S:SMD type
Ex.) DIP type: BTD05-03S250D, SMD type: BTD05-03S250S

Note2 : The output voltage inside () is when it is short between Vadj and -Vout.

Note3 : The output current inside () is when adjusted to the max. output voltage.

The Fifth Generation, Ultra Small Size, Isolated DC-DC Converter

Bellnix®

10Watt BTD Series

Table2

<Specification>

Input Voltage Range	Refer to Table 1
Rating Output Voltage	3.3V±3%, 5V±3%, 12V±3%, ±12V±5% (Vadj pin at open)
Adjustable Output Voltage Range	3.15 to 3.6V (For 3.3V), 4.75 to 6.0V (For 5V), 11.4 to 15V (For 12V), ±11.4 to ±15V (For 12V)
Line Regulation	Refer to Table1 (Rating Output, for the regulation of Input Voltage Range of Table1)
Load Regulation	Refer to table1 (Rating Input/Output Voltage, for the regulation of load 0 to 100% (±Output is when load is at balance))
Temp. Regulation	80mV max. (For 3.3V, 5V), 200mV max. (For 12V), 300mV max. (For ±12V) (Input/Output rating, For operating temp. -40°C to +50°C)
Ripple/Noise	Refer to Table 1 (Rating Input/Output, At room temp, 20MHz bandwidth)
Efficiency	83% to 88% typ. (Rating Input/Output, At room temp., Refer to table 1)
Over Current Protection Circuit	Operates at 105% or more rating load current, auto recovery type. Avoid 30 second or more long time over current Condition.
Over Voltage Protection Circuit	None
Low Input Voltage Protection	Available (Refer to p.11)
Over Input Current Protection	Built-in fuse in the input (refer to p.12)
Remote ON/OFF	Between 2pin (ON/OFF) and 3pin (-Vin) : Output goes OFF at open, Output goes ON when in short. (Refer to p.9)
Stand by Current	6.0 - 7.6mA typ. (Depend on the model)
Isolation Voltage	Input - Output, Input - Case, Output - Case AC500V 1min.
Isolation resistance	Input - Output, Input - Case, Output - Case Over 50MΩ at DC500V.
Primary-Secondary capacitance	Approx. 1100pF (Depend on the model)
Operating Temp. Range	Operating Temp. -40°C to +85°C (Need temp. derating from 50°C)
Storage Temp. Range	Storage Temp. -40°C to +85°C
Humidity Range	Humidity range 95%R.H. max. (Max. wet bulb temperature 38°C, non-condensing)
Cooling Condition	Air Convection (Set in a place where good convection is ensured)
Vibration	10 to 55Hz All amplitude 1.52mmp-p (2 hours in each orthogonal axes), Sweeping time 15min.
Shock	Acceleration 100G (3directions, 3times each, 18times in total), Persistent time 6ms
Weight	10.0g typ.
Outline	DIP type W=22.6 L=35.9 H=8.4 typ. (mm) (For detail dimensions, refer to the outline on p.7) SMD type W=22.6 L=38.9 H=8.5 typ.(mm) (For detail dimensions, refer to the outline on p.8)

NOTE : Unless condition is specified, above specification is regulated as rating value.

The Fifth Generation, Ultra Small Size, Isolated DC-DC Converter

Bellnix

10Watt BTD Series

1- Application Range

This datasheet applies to the isolated DC/DC converter, BTD series.

2- Model/Rating

Model	Rating Input Voltage	Rating Output	Package
BTD05-03S250D	DC5V	3.3V, 2500mA	DIP
BTD05-03S250S			SMD
BTD05-05S200D		5.0V, 2000mA	DIP
BTD05-05S200S			SMD
BTD05-12S80D		12V, 800mA	DIP
BTD05-12S80S			SMD
BTD05-12W40D		±12V, each400mA	DIP
BTD05-12W40S			SMD
BTD12-03S250D	DC12V	3.3V, 2500mA	DIP
BTD12-03S250S			SMD
BTD12-05S200D		5.0V, 2000mA	DIP
BTD12-05S200S			SMD
BTD12-12S100D		12V, 1000mA	DIP
BTD12-12S100S			SMD
BTD12-12W45D		±12V, each450mA	DIP
BTD12-12W45S			SMD
BTD24-03S250D	DC24V	3.3V, 2500mA	DIP
BTD24-03S250S			SMD
BTD24-05S200D		5.0V, 2000mA	DIP
BTD24-05S200S			SMD
BTD24-12S100D		12V, 1000mA	DIP
BTD24-12S100S			SMD
BTD24-12W45D		±12V, each450mA	DIP
BTD24-12W45S			SMD
BTD48-03S250D	DC48V	3.3V, 2500mA	DIP
BTD48-03S250S			SMD
BTD48-05S200D		5.0V, 2000mA	DIP
BTD48-05S200S			SMD
BTD48-12S100D		12V, 1000mA	DIP
BTD48-12S100S			SMD
BTD48-12W45D		±12V, each450mA	DIP
BTD48-12W45S			SMD

3- Environmental Condition

3-1 Temp. range

When Operating : -40°C to +85°C (Derating required from 50°C)

When Storage : -40°C to +85°C

3-2 Humidity Range

When Operating : 95%R.H. max. (Max. wet-bulb temp. 38°C, non-condensing)

When storage : 95%R.H. max. (Max. wet-bulb temp. 38°C, non-condensing)

The Fifth Generation, Ultra Small Size, Isolated DC-DC Converter

Bellnix®

10Watt BTD Series

4-Specification

4-1 Input Condition, Output Characteristics

When condition is not mentioned in this data sheet, input is rating input, output is rating output, ambient temp. is 25°C±5°C.

Model *1	Input Voltage (V)	Output Voltage (V) ²	Output Current (mA)	Max. Output Voltage Constancy.			Output Ripple/Noise (mVp-p)typ./ max.	Efficiency (%)typ. ⁶
				Input (mV)	Load (mV)	Temp. ⁴ (mV)		
BTD05-03S250X	4.5 to 9	3.3±3%	0 to 2500	20	40	80	40 / 120	84
BTD05-05S200X		5.0±3%	0 to 2000	20	40	80	40 / 120	84
BTD05-12S80X		12±3%	0 to 800	40	100	200	30 / 120	84
		15±3%	0 to 640	40	100	200	30 / 120	84
BTD05-12W40X		±12±5%	0 to 400 × 2	80	600	300	30 / 120	83
		±15±5%	0 to 320 × 2	80	600	300	30 / 120	83
BTD12-03S250X	9 to 18	3.3±3%	0 to 2500	20	40	80	40 / 120	84
BTD12-05S200X		5.0±3%	0 to 2000	20	40	80	40 / 120	86
BTD12-12S100X		12±3%	0 to 1000	40	100	200	30 / 120	88
		15±3%	0 to 800	40	100	200	30 / 120	88
BTD12-12W45X		±12±5%	0 to 450 × 2	80	600	300	30 / 120	86
		±15±5%	0 to 360 × 2	80	600	300	30 / 120	86
BTD24-03S250X	18 to 36	3.3±3%	0 to 2500	20	40	80	40 / 120	84
BTD24-05S200X		5.0±3%	0 to 2000	20	40	80	40 / 120	86
BTD24-12S100X		12±3%	0 to 1000	40	100	200	30 / 120	87
		15±3%	0 to 800	40	100	200	30 / 120	87
BTD24-12W45X		±12±5%	0 to 450 × 2	80	600	300	30 / 120	86
		±15±5%	0 to 360 × 2	80	600	300	30 / 120	86
BTD48-03S250X	36 to 76	3.3±3%	0 to 2500	20	40	80	40 / 120	84
BTD48-05S200X		5.0±3%	0 to 2000	20	40	80	40 / 120	86
BTD48-12S100X		12±3%	0 to 1000	40	100	200	30 / 120	88
		15±3%	0 to 800	40	100	200	30 / 120	88
BTD48-12W45X		±12±5%	0 to 450 × 2	80	600	300	30 / 120	86
		±15±5%	0 to 360 × 2	80	600	300	30 / 120	86

*1 Specify the package in the "X". D: DIP type(Flow) S: SMD type(Reflow)

*2 Output Voltage includes input regulation, load regulation(Balance Load), temp. regulation.

*3 2 output type is when 2 output type has same current.

*4 For temp. regulation -40 to +50°C.

*5 Bandwidth 20MHz

*6 When Rating Input Voltage, Max. Output Current.

The Fifth Generation, Ultra Small Size, Isolated DC-DC Converter

Bellnix

10Watt BTD Series

4-2 Capacity of External Capacitor

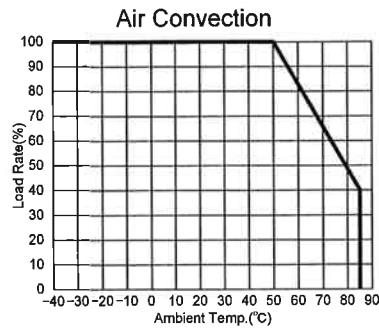
This product has limit to the capacity of external condenser. Please refer to the below table.

Output External Capacitor

Model	Capacity	
	+output side	-output side
BTDXX-03SXXX	0 to 470 μ F ^{*1}	—
BTDXX-05SXXX	0 to 470 μ F ^{*1}	—
BTDXX-12SXXX	0 to 220 μ F ^{*1}	—
BTDXX-12WXXX	0 to 100 μ F ^{*2}	0 to 100 μ F ^{*3}

- *1 Sum of C2 and C3 in standard connecting circuit in section 6, (1)
- *2 Sum of C2 and C4 in standard connecting circuit in section 6, (2)
- *3 Sum of C3 and C5 in standard connecting circuit in section 6, (2)

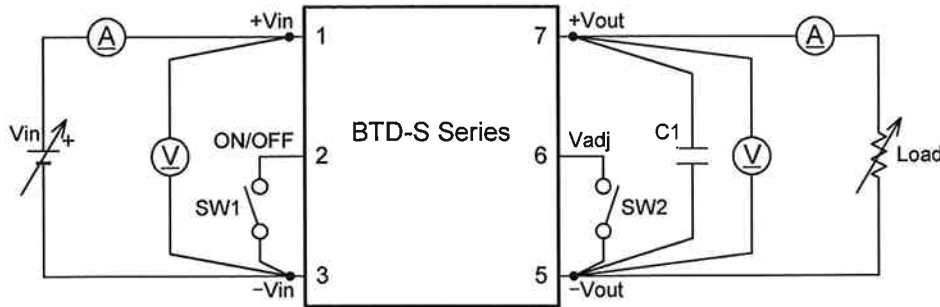
4-3 Temp. Derating



The Fifth Generation, Ultra Small Size, Isolated DC-DC Converter

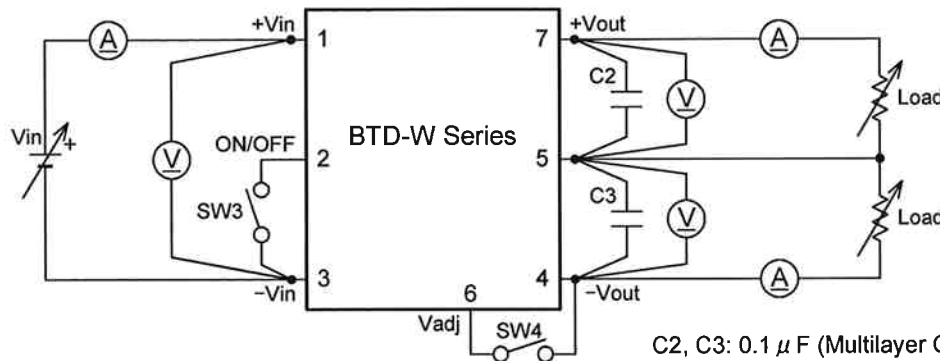
Bellnix® 10Watt BTD Series

4-4 Measurement Circuit



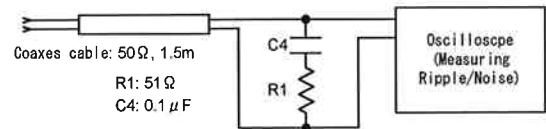
- SW1
Open = Output OFF
Short = Output ON
- SW2
Open: $V_{out} = 3.3V, 5V, 12V$
Short: $V_{out} = 3.3V \rightarrow 3.6V$
 $= 5V \rightarrow 6V$
 $= 12V \rightarrow 15V$

C1: 0.1 μ F (Multilayer Ceramic Capacitor)



- SW3
Open = Output OFF
Short = Output ON
- SW4
Open: $V_{out} = \pm 12V$
Short: $V_{out} = \pm 15V$

C2, C3: 0.1 μ F (Multilayer Ceramic Capacitor)



4-5 Additional Function

Article	Specification / Standardization	Condition
Over Current Protection Circuit	Operates above 105%, Auto-recovery type	
Over Voltage Protection Circuit	None	
Low Input Voltage Protection Function	Available	
Output Voltage Adjustable range	3.15 to 3.6V(BTDXX-03SXXX) 4.75 to 6.0V(BTDXX-05SXXX) 11.4 to 15V(BTDXX-12SXXX) ± 11.4 to $\pm 15V$ (BTDXX-12WXXX)	By External Resistor. Refer to 7-2
ON/OFF Control	Output ON at Low(0 to 0.4V) Output OFF at open	Refer to 7-1

4-6 Isolation Voltage, Isolation Resistance

1- Isolation Voltage

Input - Output, Input - Case, Output - Case : AC500V, 1min.

2- Isolation Resistance

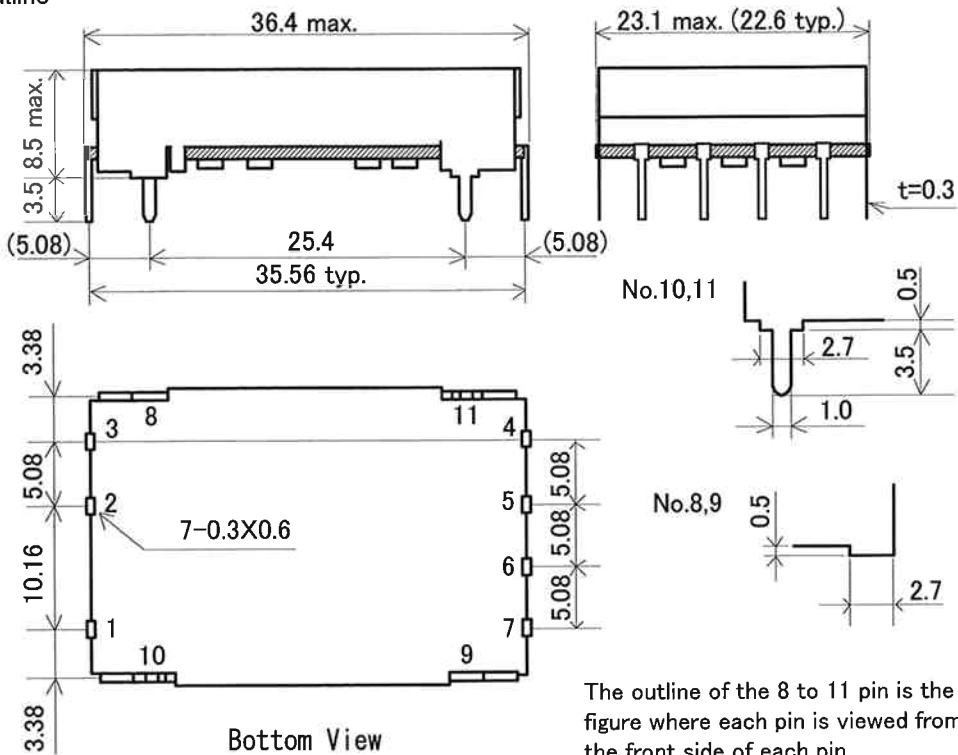
Input - Output, Input - Case, Output - Case : Over 50M Ω (at DC500V)

The Fifth Generation, Ultra Small Size, Isolated DC-DC Converter

Bellnix

10Watt BTD Series

5. Outline and Pin
5-1 DIP type
1- Outline

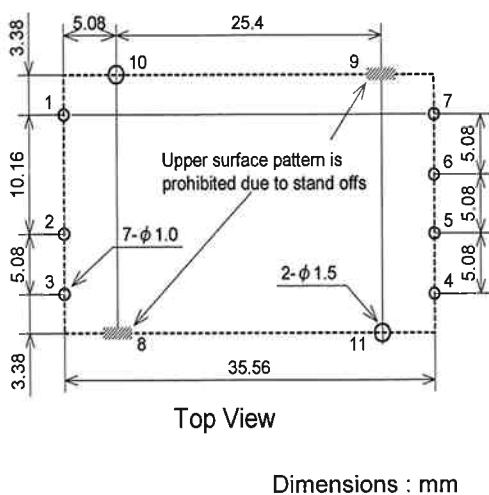


The outline of the 8 to 11 pin is the figure where each pin is viewed from the front side of each pin.

Dimensions : mm
Tolerance unless otherwise specified : ± 0.5

Model name and Manufacturing lot No. is indicated on upper side.

2- Recommended dimension of the board, Pin function



Dimensions : mm

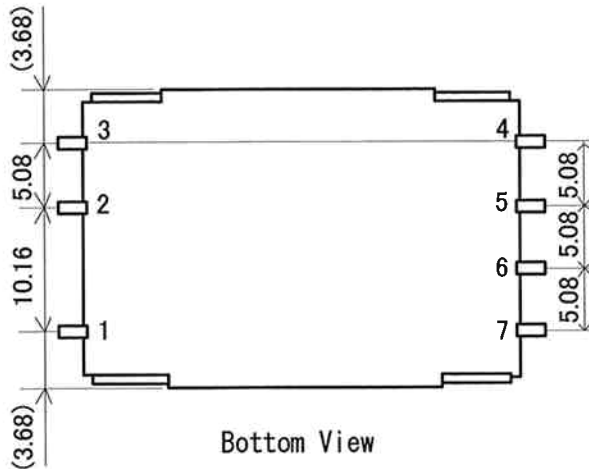
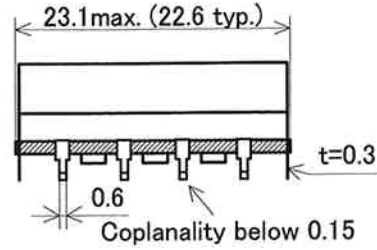
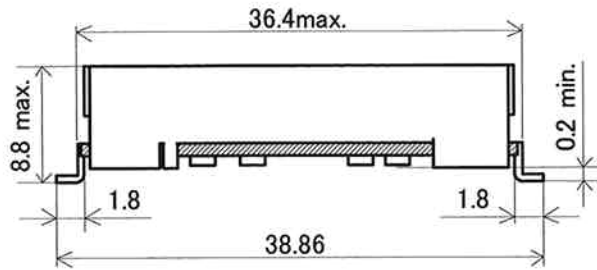
Pin	Function	
	BTD-S	BTD-W
1	+Vin	+Vin
2	ON/OFF	ON/OFF
3	-Vin	-Vin
4	NC	-Vout
5	-Vout	Common
6	Vadj	Vadj
7	+Vout	+Vout
8, 9	Stand off	Stand off
10, 11	Connected to Case	Connected to Case

The Fifth Generation, Ultra Small Size, Isolated DC-DC Converter

Bellnix

10Watt BTD Series

5-2 SMD type
1-Outline

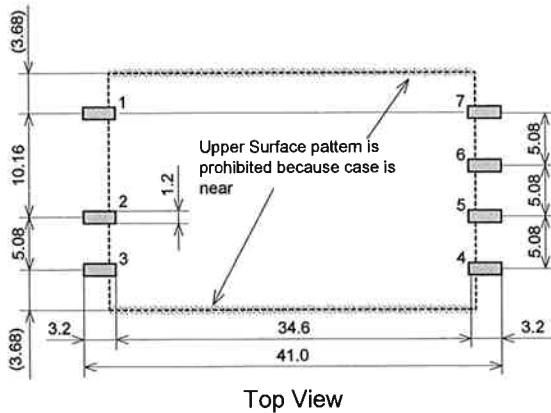


Bottom View

Dimensions : mm
Tolerance without otherwise specified : ± 0.5

Model name and Manufacturing lot No. is indicated on upper side.

2- Recommended dimension of the board, Pin function



Top View

Dimensions : mm

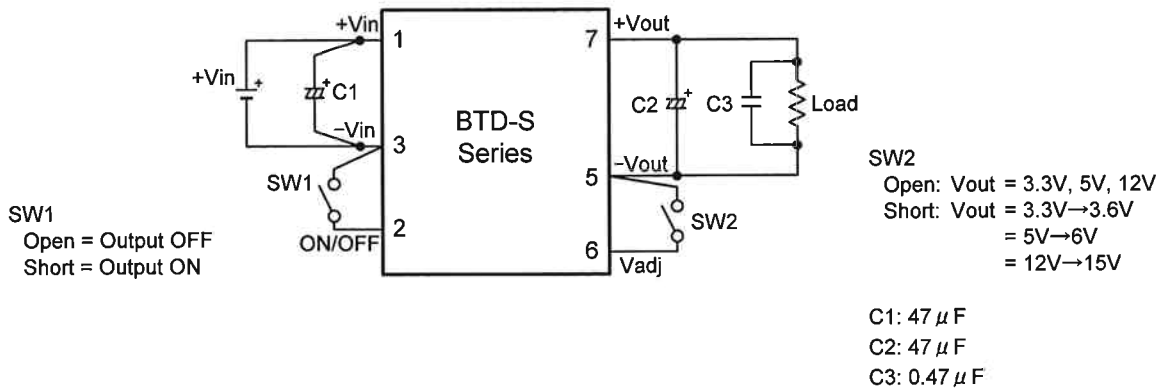
Pin	Function	
	BTD-S	BTD-W
1	+Vin	+Vin
2	ON/OFF	ON/OFF
3	-Vin	-Vin
4	NC	-Vout
5	-Vout	Common
6	Vadj	Vadj
7	+Vout	+Vout

The Fifth Generation, Ultra Small Size, Isolated DC-DC Converter

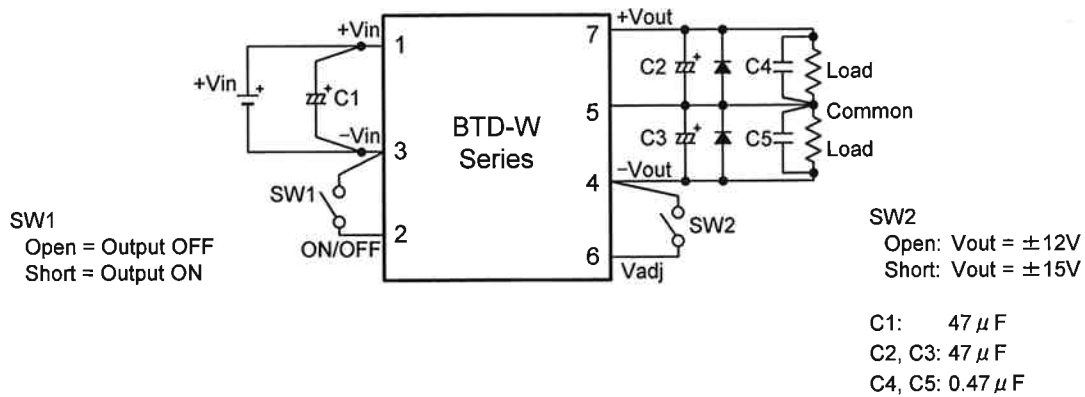
Bellnix

10Watt BTD Series

6. Standard Connecting Circuit (1) BTD-S Series



(2) BTD-W Series



7. Function

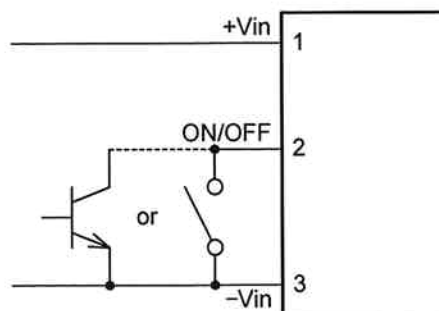
7-1 ON/OFF Control

By using ON/OFF control function, ON/OFF of the output without connecting and disconnecting the input can be controlled.

Between -Vin pin (Pin3) and ON/OFF pin (Pin2)

Low (0 to 0.4V 1mAmax.): Output ON

Open (Open voltage : +Vin max.) : Output OFF



The Fifth Generation, Ultra Small Size, Isolated DC-DC Converter

Bellnix® 10Watt BTD Series

7-2 Adjustable Output Voltage

Output voltage can be set as follow when Vadj pin and -Vout pin is short.
Please open this pin when not adjusting the output voltage.

Output voltage to connection of Vadj pin		
Model	Open	Short to -Vout
BTDX-03SXXX	3.3V	3.6V
BTDX-05SXXX	5.0V	6.0V
BTDX-12SXXX	12V	15V
BTDX-12WXXX	±12V	±15V

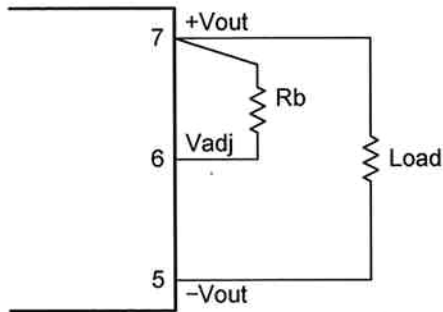
Output voltage is adjustable by connecting resistor between Vadj pin and +Vout pin. (Or between Vadj pin and -Vout pin)

Note : When adjusting the output voltage, please operate below max. power

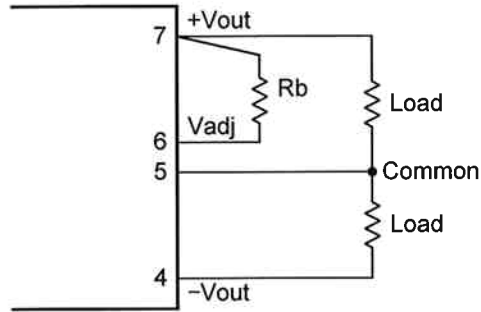
7-2-1 To lower the output voltage

Output voltage can be lowered by connecting resistor Rb between Adjustable Output Pin (Vadj) and Plus Output Pin (+Vout). Calculation is as below. (Unit of Rb is [kΩ]).

BTDX-S Series



BTDX-W Series



Output Voltage : Vo[V], Connecting resistor : Rb[kΩ]

BTDX-03SXXX

$$V_o = 1.26 \times (91.5 + 2.62 R_b) / (39.6 + R_b)$$

$$R_b = (39.6 V_o - 115.3) / (3.30 - V_o)$$

Adjustable range is below to 3.15V. ($R_b \geq 62$)

BTDX-05SXXX

$$V_o = 1.26 \times (84.8 + 3.98 R_b) / (31.8 + R_b)$$

$$R_b = (31.8 V_o - 106.85) / (5.01 - V_o)$$

Adjustable range is below to 4.75V. ($R_b \geq 160$)

BTDX-12SXXX

$$V_o = 1.26 \times (201 + 9.53 R_b) / (57 + R_b)$$

$$R_b = (57 V_o - 253.26) / (12.01 - V_o)$$

Adjustable range is below to 11.4V. ($R_b \geq 620$)

BTDX-12WXXX

$$V_o = \{1.26 \times (429 + 19.1 R_b) / (103 + R_b)\} / 2$$

$$R_b = (206 V_o - 540.54) / (24.07 - 2 V_o)$$

Adjustable range is below to 11.4V. ($R_b \geq 1500$)

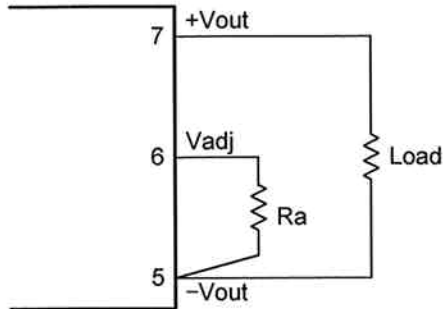
The Fifth Generation, Ultra Small Size, Isolated DC-DC Converter

Bellnix® 10Watt BTD Series

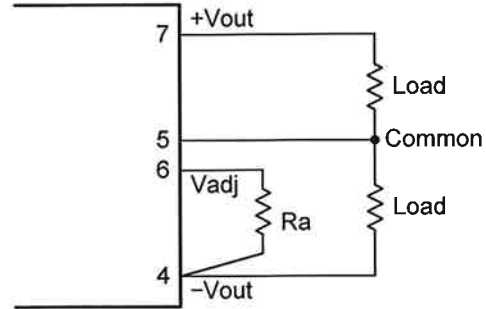
7-2-2 To raise the output voltage

Output voltage can be raised by connecting resistor Ra between Adjustable Output Pin (Vadj) and Minus Output Pin (-Vout). Calculation is as below (Unit of Ra is[kΩ]).

BTD-S Series



BTD-W Series



Output Voltage : Vo[V], Connecting resistor : Ra[kΩ]

BTDXX-03SXXX

$$V_o = 1.26 \times (91.5 + 2.62 R_a) / (32 + R_a)$$

$$R_a = (115.3 - 32 V_o) / (V_o - 3.30)$$

BTDXX-05SXXX

$$V_o = 1.26 \times (84.8 + 3.98 R_a) / (17.8 + R_a)$$

$$R_a = (106.85 - 17.8 V_o) / (V_o - 5.01)$$

BTDXX-12SXXX

$$V_o = 1.26 \times (201 + 9.53 R_a) / (16.9 + R_a)$$

$$R_a = (253.26 - 16.9 V_o) / (V_o - 12.01)$$

BTDXX-12WXXX

$$V_o = \{1.26 \times (429 + 19.1 R_a) / (18 + R_a)\} / 2$$

$$R_a = (540.54 - 36 V_o) / (2 V_o - 24.07)$$

7-3 Output Over Current Protection Function

Output voltage will be lowered when output current is in state of over current and start operating over current protection circuit. (Over current protection set point : 105 to 250% of rating current value)

It will automatically recover when over current state is released. In order to avoid from damage, please do not hold the over current state for more than 30sec.

If by any reason does not auto recover after releasing, please switch off or off the output at ON/OFF control and reactivate.

7-4 Low Input Voltage Protection Function

This product built-in the low input voltage protection function to avoid malfunction at low input voltage. Start-up operation and termination voltage range is within the below table.

Model	Commencing operation Termination Voltage
BTD05	3.0 to 4.5V
BTD12	6.0 to 9.0V
BTD24	13 to 18V
BTD48	27 to 36V

7-5 Input Circuit Protection Circuit

Fuse is built-in at input in order to protect circuit at secondary side when overcurrent flows to input by some abnormalities.

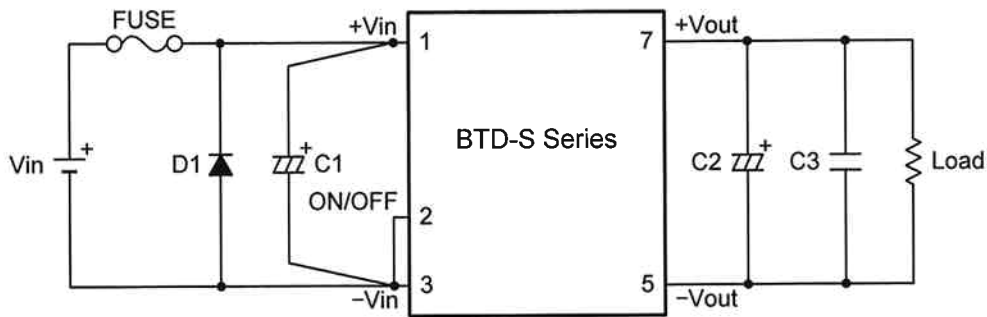
Rating current and fusing current of the Built-in fuse is as below table. To assure fusing at abnormality, current capacity of power supply should be more than fusing current which is stated in below table.

Model	Rating Current	Fusing Current
BTD05	10.0A	Above 20.0A
BTD12	5.0A	Above 10.0A
BTD24	2.5A	Above 5.0A
BTD48	1.25A	Above 2.5A

8. An example method to prevent inverse connection of input power supply.

This product will be damaged when input polarity is connected reversely. Please add protection circuit when connection may be reversed.

Below diagram is an example of using fuse and diode.



The Fifth Generation, Ultra Small Size, Isolated DC-DC Converter

Bellnix

10Watt BTD Series

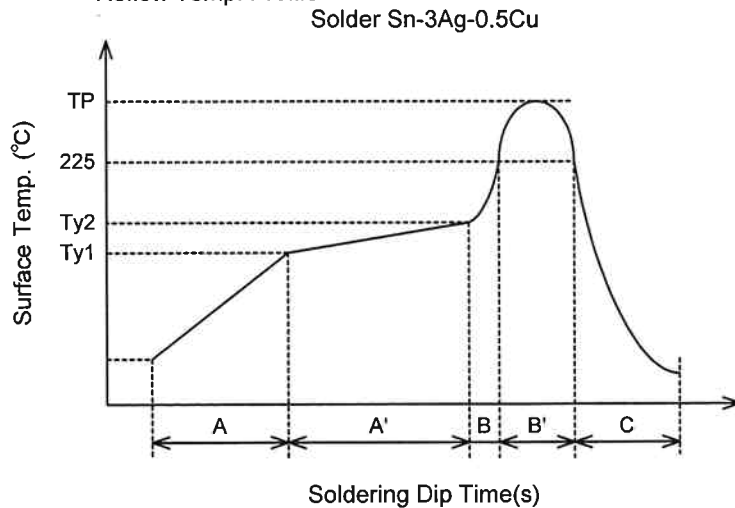
9. Soldering Conditions

Soldering is to be executed under the following conditions.

1- Soldering Iron (DIP Type, SMD Type)
380°C 3sec. max

2- Soldering Dip (DIP type)
260°C 10sec. max

3- Reflow (SMD type)
Reflow Temp. Profile



A	1.0 to 3.0°C/s
A'	Ty1: 150±10°C Ty2: 170±10°C Ty1 to Ty2: 40 ~ 100s
B	1.0 to 4.0°C/s
B'	TP: 245°Cmax. Above 225°C : 20 to 40s
C	1.0 to 5.0°C/s

Do not vibrate during reflow.

Reflow can be done only once. (Backside mounting is not possible)

NOTE: Eutectic solder can be used within condition as above.

10. Material of Pin and case

Pin : Phosphor bronze (Ni Foundation Sn Plating)

Case : SPCC (Ni Plating)

11. Vibration / Shock Test

Vibration : 10 to 55Hz All Amplitude 1.52mmp-p (2 hours in each of 3 orthogonal axes)
Sweeping time 15min.

Shock : Acceleration 100G (3 times in each of 3 orthogonal axes, Total 18 times)
Duration 6ms

12. Cleaning Condition

This product can not be washed whole. No clean solder paste is recommended for this product. If cleaning should be necessary only for DIP type, use IPA and hand-wash only soldered surface by brush cleaning.

After cleaning be sure to dry up before using.