

1.5W Low Noise, Isolated type DC-DC Converter

Compact DC-DC converter BLA series

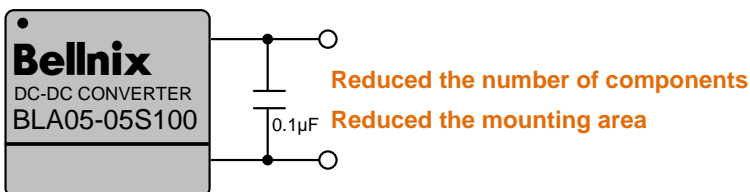
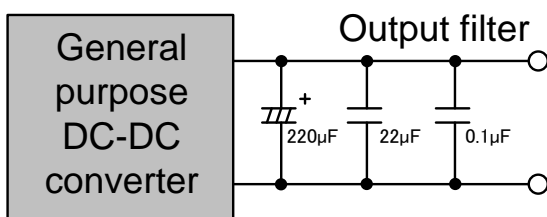
Ideal for analog or mixed-signal circuits susceptible to noise



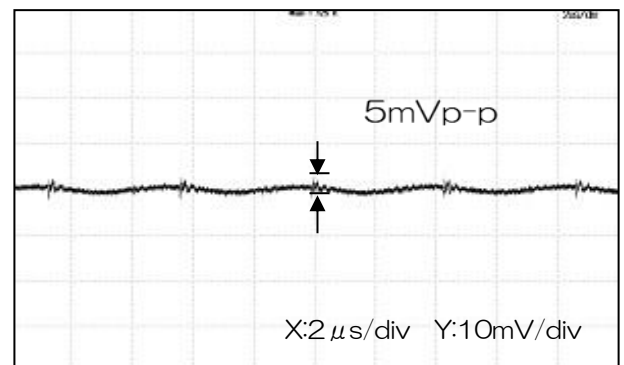
Features

- Low ripple noise **5mVpp**
- Isolation voltage 500VAC (1min.)
- Over current protection
- 5 sided metal shield
- No tantalum capacitor nor electrolytic capacitor
- Dual power supply can be used as a single power supply

Mounting area



Low ripple noise



Measurement condition: $V_{in}=5V$, $V_{out}=5V$, $I_{out}=300mA$,
 $C_{out}=0.1\mu F$ (MLCC), $BW=20MHz$



Detail information→

Line up

Models	Input V	Output V	Output I	Ripple noise	Efficiency	Line Reg.	Load Reg.
BLA Series	Vdc	Vdc	A	mVpp(typ.)	% (typ.)	mV(max.)	mV(max.)
BLA05-05S30	3 to 9	5	0 to 300	5	80	20	40
BLA05-12S12		12 (15)	0 to 125 (100)		82	40	100
BLA05-12W06		±12 (±15)	0 to 60 (50)		82	80	600
BLA12-05S30	9 to 18	5	0 to 300		78	20	40
BLA12-12S12		12 (15)	0 to 125 (100)		81	40	100
BLA12-12W06		±12 (±15)	0 to 60 (50)		82	80	600

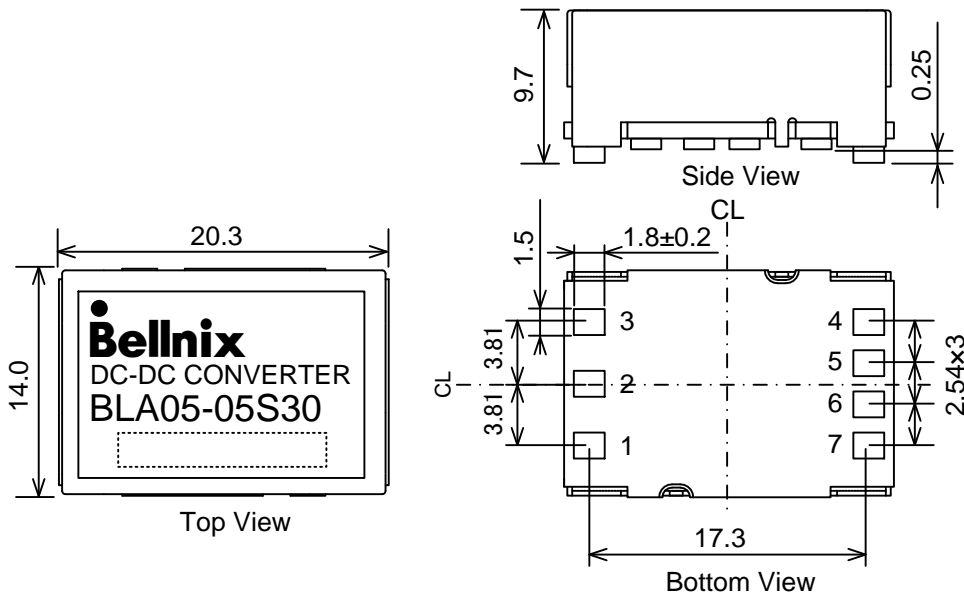
Bellnix Co., Ltd.
 5-7-8 Negishi Minami-ku Saitama-shi
 Saitama JAPAN Postcode: 336-0024
 TEL: +81-48-864-7733 FAX: +81-48-861-6402
 E-mail: info@bellnix.com.
 URL : http://www.bellnix.com

No.C034-0.1EN

Bellnix[®]

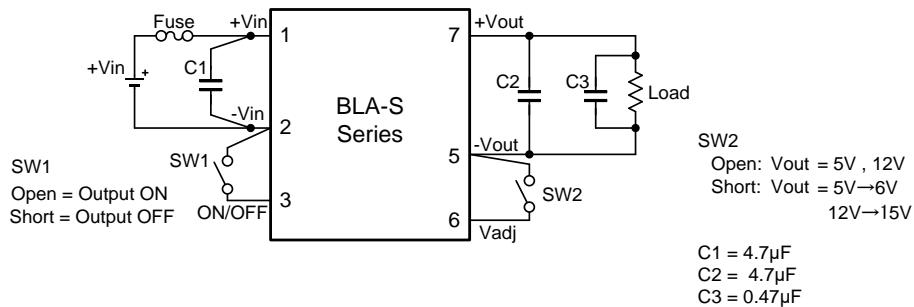
Dimensions

Unit:mm



Standard connection diagram

Single type (S)



Dual type (W)

