

0 to 350V-2kV High voltage DC-DC Converter

PHV Series

3.5W, 5W Compact high voltage DC-DC converter



PH-20

Features

- Low ripple noise: 100 to 160mVp-p
- ON/OFF control
- Adjustable output voltage 0 to 100%
- 5-sided metal shield
- MTBF 380,000 hrs.
- Over current protection
- Short circuit protection
- Non-isolated type
- Operating temperature: -10°C to +50°C

Applications

- Electronic microscope (TEM/SEM)
- Photomultiplier tube (PMT)
- Radiation equipment
- Ultrasonic probe
- Elementary particle detector
- CAT scanner
- A.P.D. Bias power supply



Detail information→

Lineup

Models OHV Series	Input V Vdc	Input I mA	Output V Vdc	Output I mA	Ripple Noise mVpp(max.)	Case
PHV12-350S10P	10.8 to 16.5	430	0 to +350	0 to 10	100	PH-15
PHV12-350S10N			0 to -350			
PHV12-0.5K10000P		580	0 to +500	0 to 10		
PHV12-0.5K10000N			0 to -500			
PHV12-1.0K5000P		580	0 to +1000	0 to 5.0	160	PH-20
PHV12-1.0K5000N			0 to -1000			
PHV12-2.0K2500P		580	0 to +2000	0 to 2.5		
PHV12-2.0K2500N			0 to -2000			

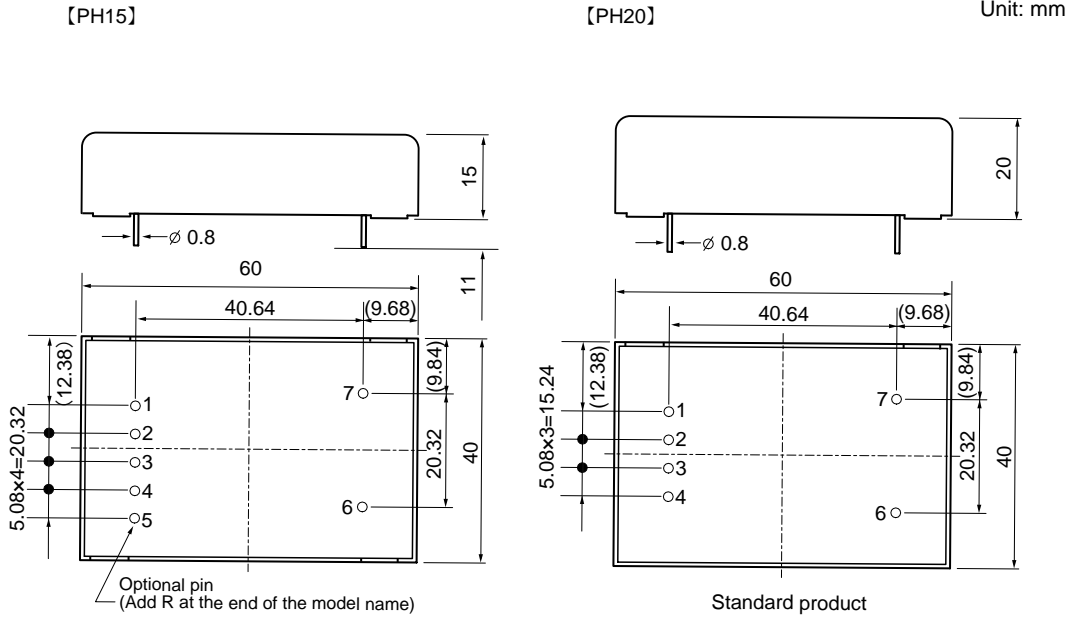
Bellnix Co., Ltd.

5-7-8 Negishi Minami-ku Saitama-shi
Saitama JAPAN Postcode: 336-0024
TEL: +81-48-864-7733 FAX: +81-48-861-6402
E-mail: info@bellnix.com.
URL : http://www.bellnix.com

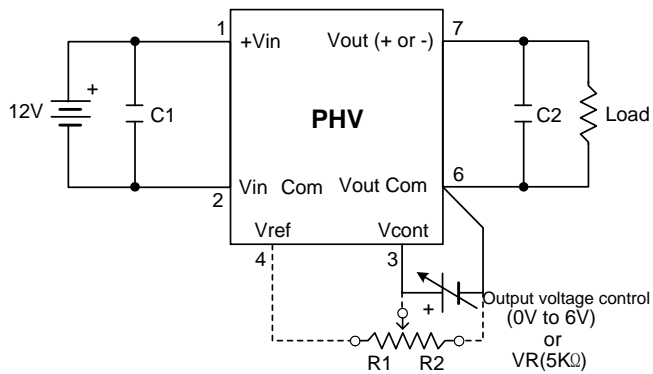
No.C016-1.1EN

Bellnix[®]

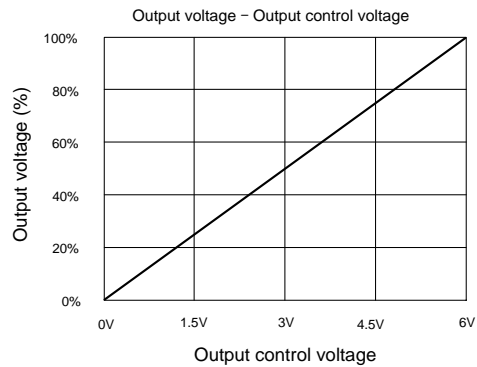
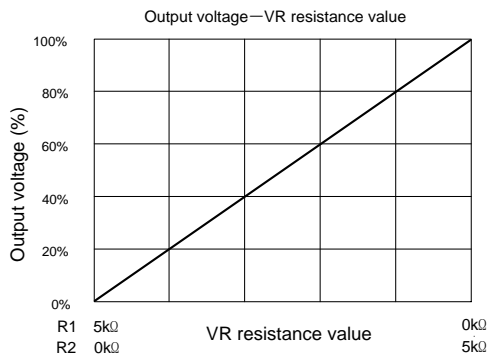
Dimensions



Standard connection diagram



The output voltage can be adjusted by an external voltage or a variable resistor.



Bellnix Co., Ltd.

5-7-8 Negishi Minami-ku Saitama-shi
Saitama JAPAN Postcode: 336-0024
TEL: +81-48-864-7733 FAX: +81-48-861-6402
E-mail: info@bellnix.com.
URL : http://www.bellnix.com

No. C016-1.1EN

Bellnix[®]