

0 to 2,000V Mid-High Voltage DC-DC Converter

MHV Series

High reliability & long life mid-high voltage DC-DC converter

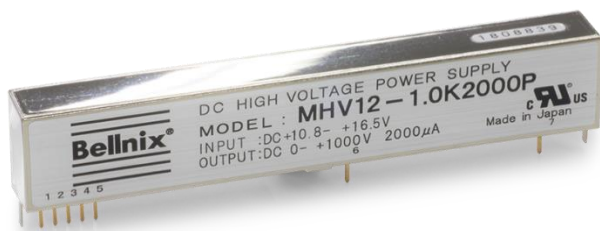
Features

- Low ripple noise 30 to 50mVp-p
- ON/OFF control
- Adjustable output voltage
- 5-sided metal shield
- MTBF400,000 hrs.
- Over current protection
- UL60950-1/C-UL certified

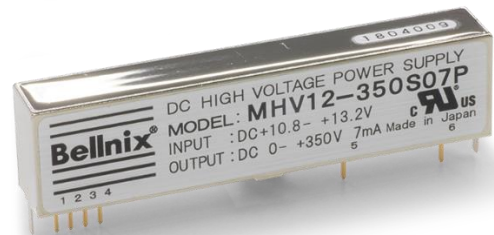


Applications

- Electronic microscope (TEM/SEM)
- Radiation monitor
- Ultrasonic probe
- Elementary particle detector
- CAT scanner
- Physics equipment, medical science equipment, nuclear equipment



2 to 3W (500V or more) M-11



2.5 to 3W (350V or less) M-8

Lineup

Detail information →



Models OHV Series	Input V Vdc	Output V Vdc	Output I mA	Load kΩ(min.)	Ripple Noise mVpp(typ.)	Case
MHV12-180S15P	10.8 to 13.2	0 to +180V	0 to 15	12	30	M-8
MHV12-180S15N		0 to -180V				
MHV12-300S10P		0 to +300V	0 to 10	30		
MHV12-300S10N		0 to -300V				
MHV12-350S07P		0 to +350V	0 to 7	50		
MHV12-350S07N		0 to -350V				
MHV12-470S06P	10.8 to 13.2	0 to +500V	0 to 5.6	83.3	40	M-11
MHV12-470S06N		0 to -500V				
MHV12-1.0K2000P	10.8 to 16.5	0 to +1000V	0 to 2	500	30	
MHV12-1.0K2000N		0 to -1000V				
MHV12-1.5K1300P		0 to +1500V	0 to 1.3	1150		
MHV12-1.5K1300N		0 to -1500V				
MHV12-2.0K1000P		0 to +2000V	0 to 1	2000	50	
MHV12-2.0K1000N		0 to -2000V				

Bellnix Co., Ltd.

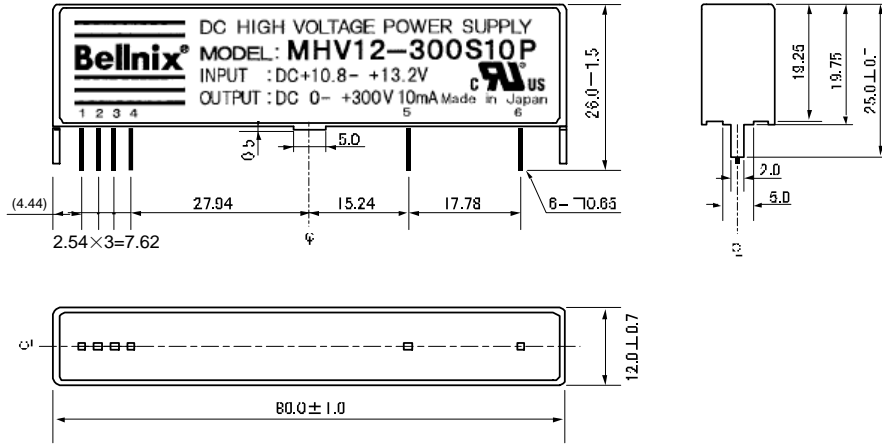
5-7-8 Negishi Minami-ku Saitama-shi
Saitama JAPAN Postcode: 336-0024
TEL: +81-48-864-7733 FAX: +81-48-861-6402
E-mail: info@bellnix.com.
URL : http://www.bellnix.com

No. C015-1.0EN

Bellnix[®]

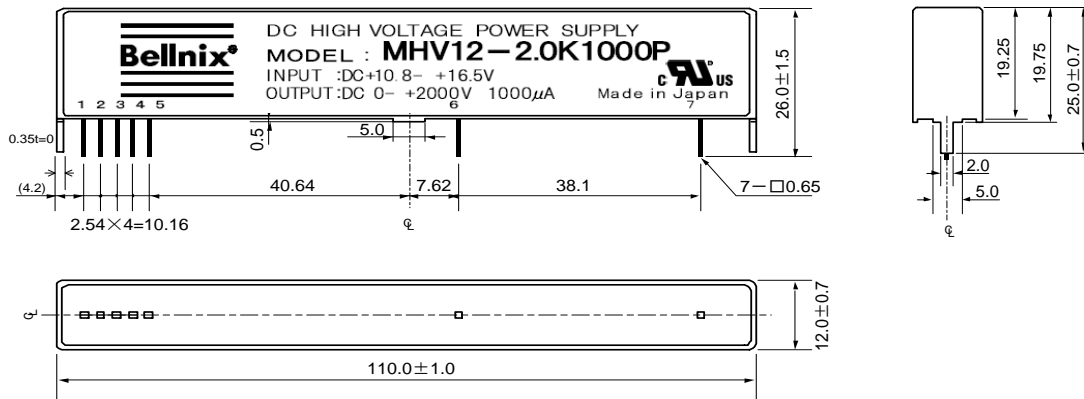
Dimensions

【M-8 case】

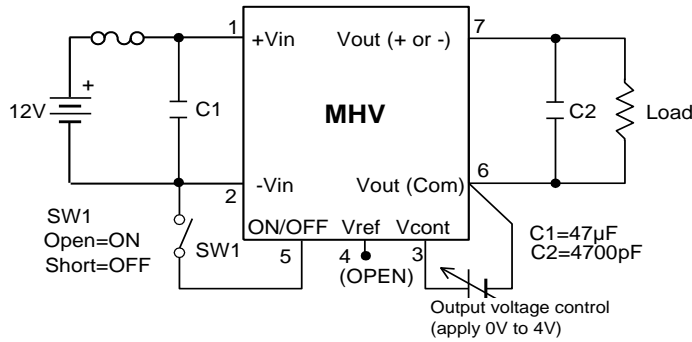


Unit: mm

【M-11 case】

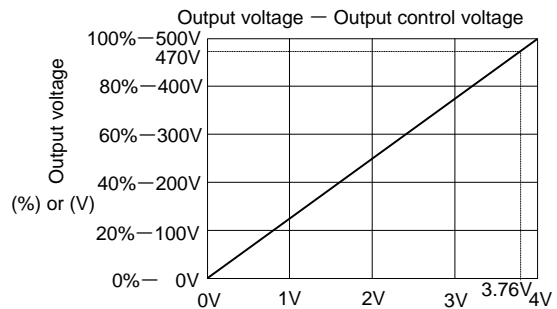
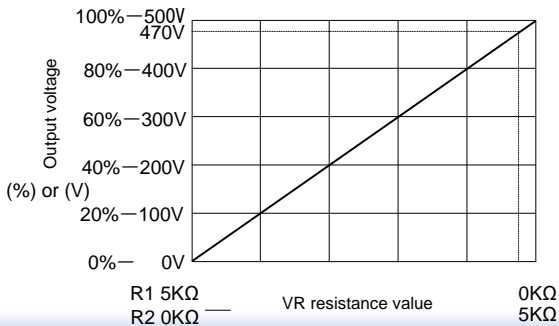


Standard connection diagram



The output voltage can be adjusted by an external voltage or a variable resistor.

Output voltage — VR resistance value (470V output type)



Bellnix Co., Ltd.

5-7-8 Negishi Minami-ku Saitama-shi
 Saitama JAPAN Postcode: 336-0024
 TEL: +81-48-864-7733 FAX: +81-48-861-6402
 E-mail: info@bellnix.com.
 URL : http://www.bellnix.com

No. C015-1.0EN

Bellnix