

0 to 100V, 200V High Voltage DC-DC Converter

0.2W Compact, Isolated DC-DC converter BYH Series

Variable output voltage & Low ripple noise



Features

- Low ripple noise of 10mVp-p
- Small size (20.4x32.6x10.3mm)
- Adjustable output voltage 0 to 100%
- Output control voltage
BYH05=0 to +3V
BYH12=0 to +10V
- 5 sided metal shield
- Short circuit, over current protection
- Isolation withstand between P-S, DC250V
- MTBF 1,400,000H
- Operating temp range : -10°C to +60°C
(Derating required above 50°C)
- RoHS Compliance

Applications

- Industrial equipment
- Wireless base-station, Server
- Semiconductor manufacturing equipment
- Measurement equipment
- Medical equipment, etc.

Lineup

Detail information →



Models BYH Series	Input V Vdc	Input I mA	Output V Vdc	Output I mA	Line Reg %(typ)	Ripple Noise mVpp(typ.)	V cont Vdc
BYH05-100S02	4.75 to 5.25	90	0 to 100	0 to 2	0.3	10	0 to +3
BYH12-100S02	11.0 to 16.0	34					0 to +10
BYH05-200S01	4.75 to 5.25	98	0 to 200	0 to 1			0 to +3
BYH12-200S01	11.0 to 16.0	41					0 to +10

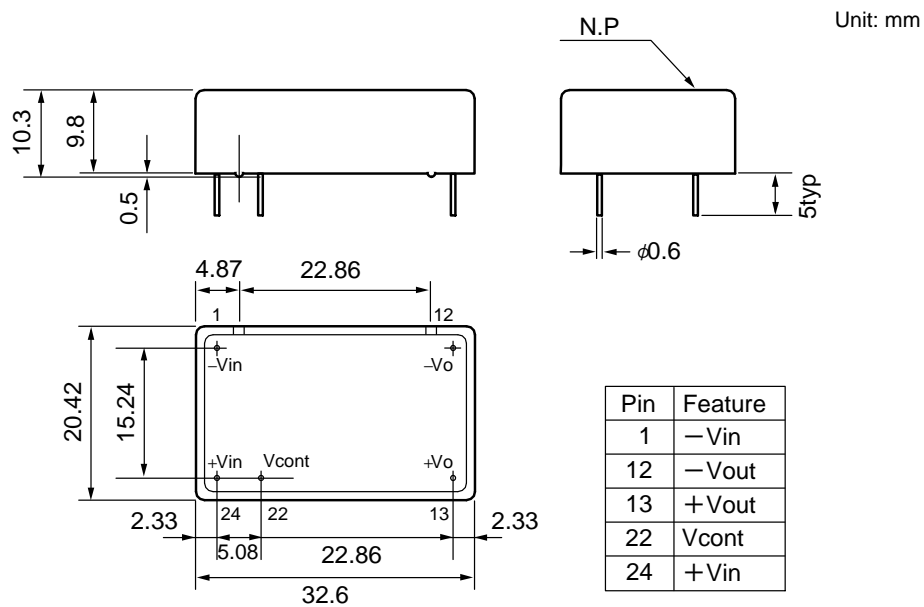
Bellnix Co., Ltd.

5-7-8 Negishi Minami-ku Saitama-shi
Saitama JAPAN Postcode: 336-0024
TEL: +81-48-864-7733 FAX: +81-48-861-6402
E-mail: info@bellnix.com.
URL : http://www.bellnix.com

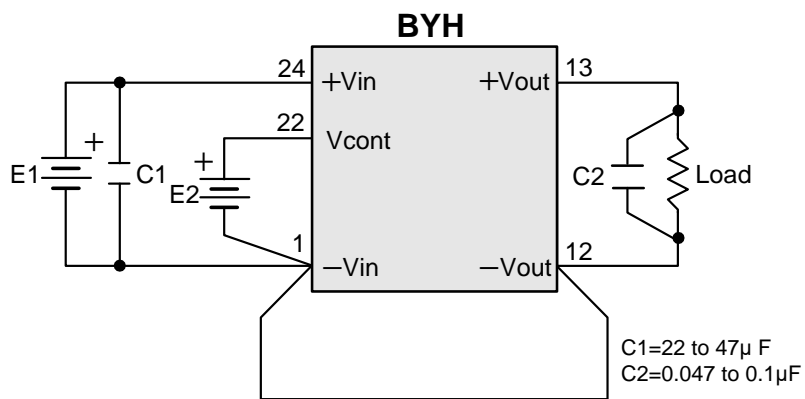
No.C014-0.0EN

Bellnix[®]

Dimensions



Standard connection diagram



※ The output voltage can be adjusted by an external voltage or a variable resistor.

