

# 15W High Power Density, Isolated DC-DC Converter

Compact, isolated DC-DC converter BTI series

High efficiency, 1 x 1 inch, 6 sided shield



## Features

- Isolation voltage DC1500V (1min)
- Over current protection
- Adjustable output voltage (single output)
- No electrolytic capacitor, no tantalum capacitor
- Low noise, high efficiency
- DIP package
- Wide input voltage range
- RoHS compliance
- Dual power supply can be used as a single power supply
- Operating temp. Ta = -40°C to +85°C (Temp. derating required)
- Heat sink not required

## Applications

- General industrial equipment
- Base station, server
- Semiconductor manufacturing equipment
- Measuring equipment
- Medical equipment etc.

Detail information →



## Line up

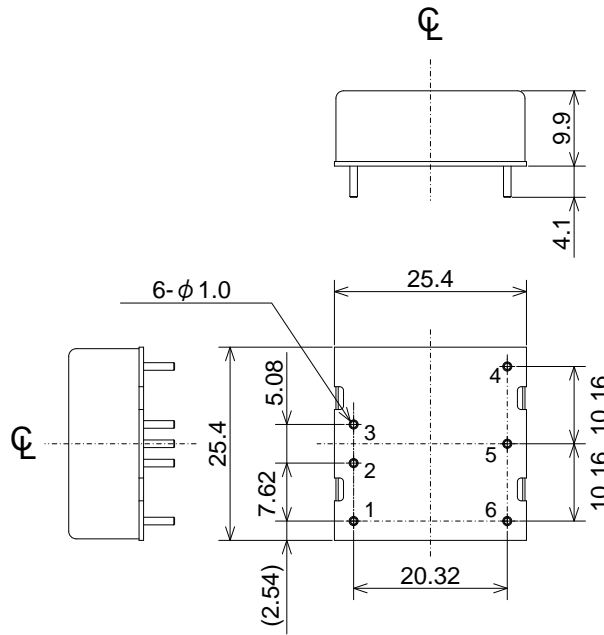
Models BTI Series	Input V Vdc	Output V Vdc	Output I A	Ripple Noise mVpp(typ)	Efficiency % (typ)	Line Reg. mV(max)	Load Reg. mV(max)
BTI24-03S400D	24 (9 to 36)	3.3	0 to 4	10	85	0.4	0.4
BTI24-05S300D		5	0 to 3		87		
BTI24-12S130D		12	0 to 1.3	15	88		
BTI24-15S100D		15	0 to 1	20	89	0.5	1.0
BTI24-12W65D		±12	0 to 0.65	15			
BTI24-15W50D		±15	0 to 0.5				
BTI48-03S400D	48 (18 to 76)	3.3	0 to 4	10	85	0.4	0.4
BTI48-05S300D		5	0 to 3	15	87		
BTI48-12S130D		12	0 to 1.3	20	88		
BTI48-15S100D		15	0 to 1	25	89	0.5	1.0
BTI48-12W65D		±12	0 to 0.65	20			
BTI48-15W50D		±15	0 to 0.5				

### Bellnix Co., Ltd.

5-7-8 Negishi Minami-ku Saitama-shi  
Saitama JAPAN Postcode: 336-0024  
TEL: +81-48-864-7733 FAX: +81-48-861-6402  
E-mail: info@bellnix.com  
URL : http://www.bellnix.com

No. C013-0.1EN

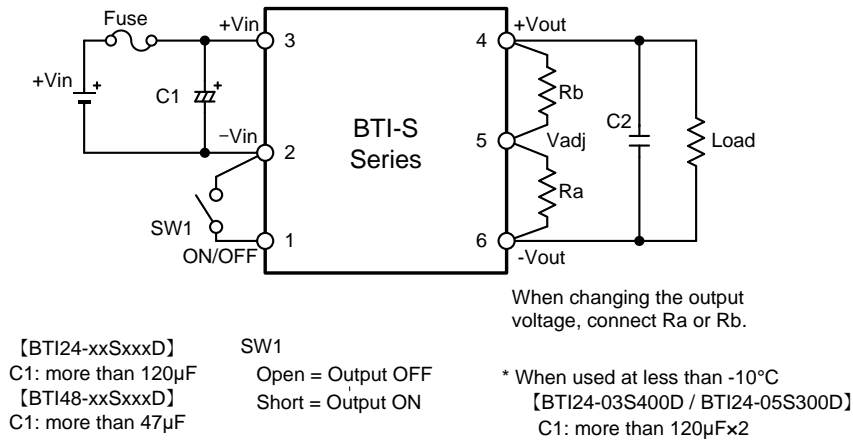
**Bellnix**<sup>®</sup>



Unit:mm

## Standard connection diagram

### Single type (S)



### Dual type (W)

